

# BENCOR (Pty) Ltd.

Seated valves

**HAWES**  
HYDRAULIK

## Shut-off valves type DA and EA

The shut-off valves types DA and EA are of ball seated design and are available in two different sizes. They are used in hydraulic systems for blocking the flow in one or both directions.

They are available with hand lever or with eccentric shaft for customer furnished hand lever. Both versions can be ordered either with or without detent.

**Nomenclature:** Directional seated valve, leakage free

**Design:** Individual valve for pipe connection

**Actuation:** Manual

**P<sub>max</sub>:** 500 bar

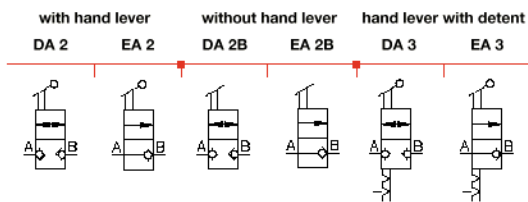
**Q<sub>max</sub>:y** 60 ... 150 l/min



### Basic types and general parameters

Basic type and size	Flow Q <sub>max</sub> (l/min)	Oper. pressure p <sub>max</sub> (bar)	Tapped ports A, B
DA 2, EA 2	60	500	G 3/4
DA 2B, EA 2B	60	500	G 3/4
DA 3, EA 3	150	500	G 1

### Flow pattern and actuations



### Order example

**DA 3** double acting shut-off valve type DA, size 3

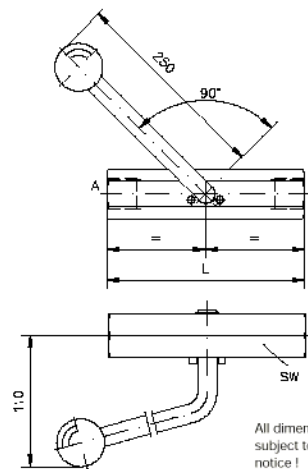
### Additional information

- Shut-off valves type DA/EA D 1741
- Directional seated valves type VH(R) D 7647
- Directional seated valves type VHP Sk 7647 P

For page and section of the devices additionally listed, see type index

### Dimensions

acc. to the order example



All dimensions in mm, subject to change without notice!

Basic type	L	SW	m (kg)
EA 2 (B)	165	a/f 36	1,3 ... 1,5
DA 2 (B)	165	a/f 36	1,3 ... 1,5
EA 3	200	a/f 50	3,0 ... 3,2
DA 3	200	a/f 50	3,0 ... 3,2